




1 Select Spit and spike **2** Select base plate **3** Select shaft type to fit kebab machine

1

Stainless Steel Spit Aluminium Steel Spit

Available lengths:
 (A) 530 mm
 (B) 630 mm
 (C) 830 mm

2



Aluminium base plate



Stainless Steel base plate



Aluminium Slot-type base plate

Available sizes:
 (A) 200 mm
 (B) 250 mm
 (C) 300 mm

3






Fits Flame Master locking drive shaft

L1




Fits Flame Master square tip drive shaft

L2








Fits all brands of kebab machine.


L3

Spit with lifter set

1m Rod : 80kg
0.8m Rod : 60kg


L1



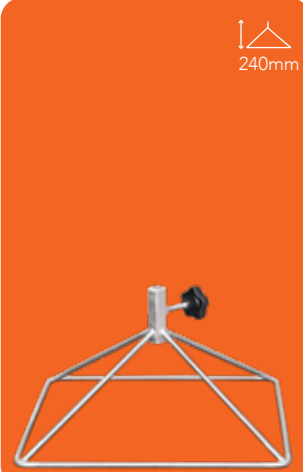
L2



4 Select stand size



580mm



240mm

5 Add-On Bottom Drip Tray




Add-On **Trimming Knife**



Add-On **Sharpening Stone**



Add-On **Cling Wrap**

